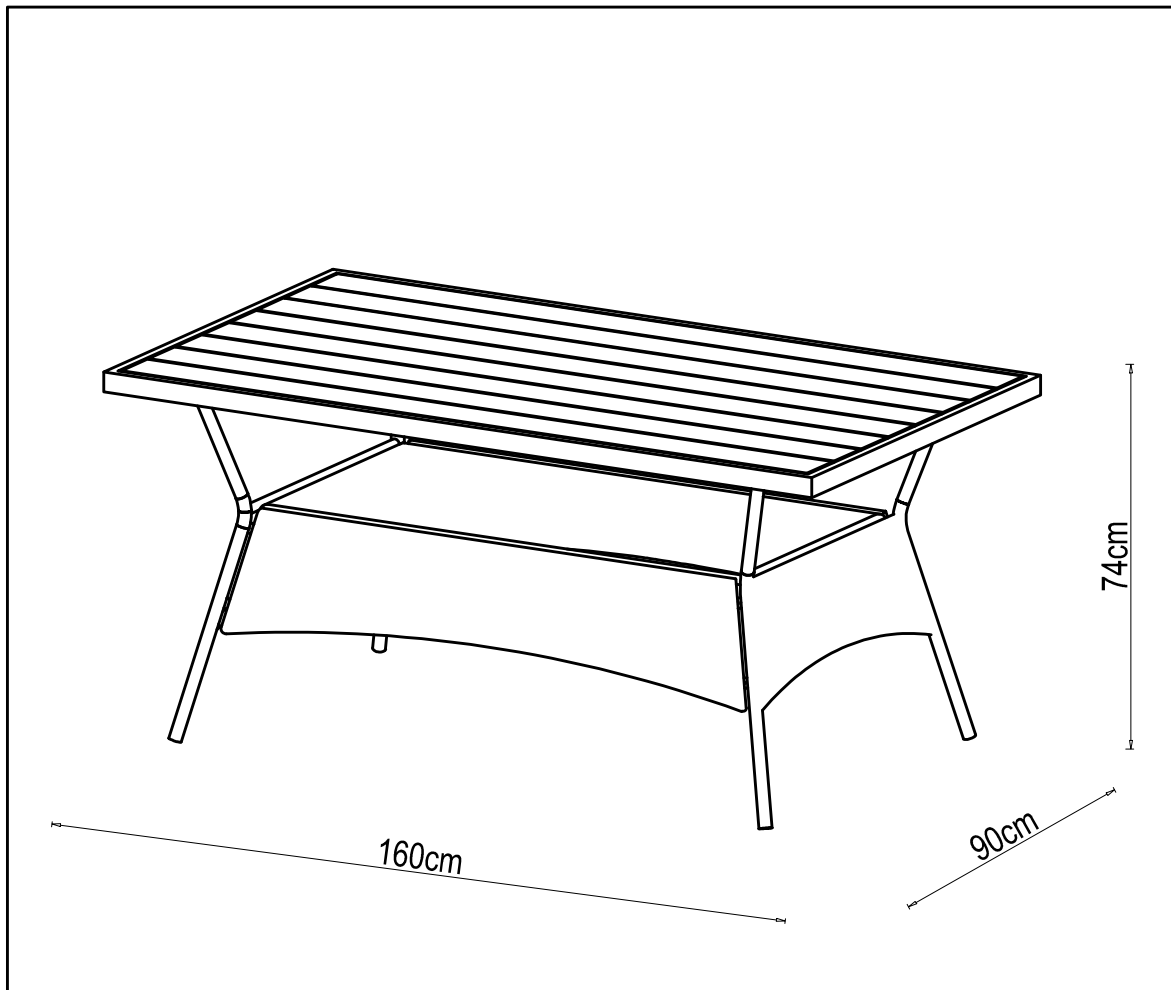




ASSEMBLY INSTRUCTION

AVANI 5PCE OUTDOOR LOUNGE/DINING SETTING

ITEM CODE - 84780

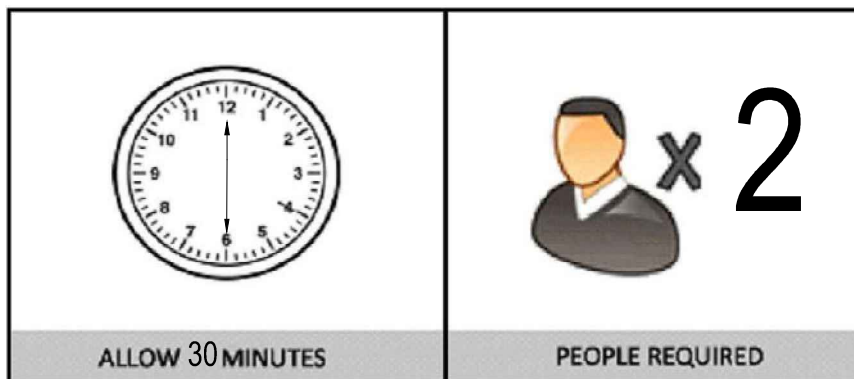


Imported by Amart Furniture Pty Ltd, Brisbane QLD, Australia.
For any assistance with assembly or for missing parts please phone
Amart Furniture, Customer Service Freecall 1800 351 084

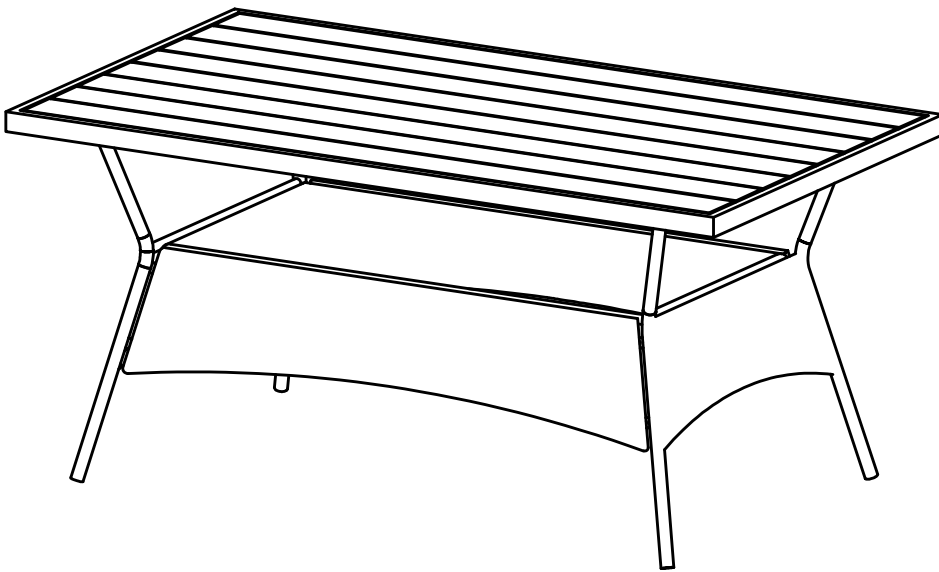
PRE-ASSEMBLY PREPARATION

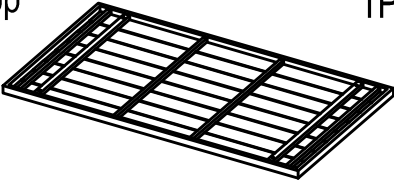
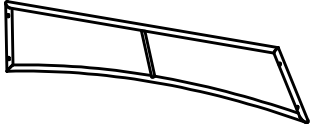
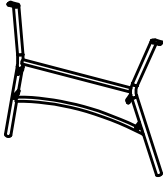
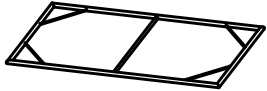
Before you start:



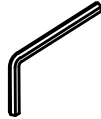
1. Choose a clean, level, spacious assembly area. Avoid hard surfaces that may damage the product.
2. Take care when lifting. Product should be assembled as near as possible to the point of use.
3. Ensure that you have all required contents for complete assembly.
4. Always read the assembly instructions carefully before beginning assembly.
5. Keep all hardware parts and packaging out of reach of small children.
6. Do not over tighten the screws and bolts as this may damage the threads.



PARTS LIST

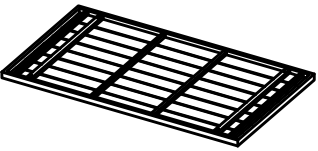
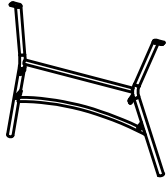


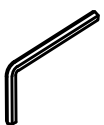


<p>16 Table Top 1PC</p> 	<p>17 Fixed Link 2PCS</p> 
<p>18 Legs 2PCS</p> 	<p>19 Cover Plate 1PC</p> 

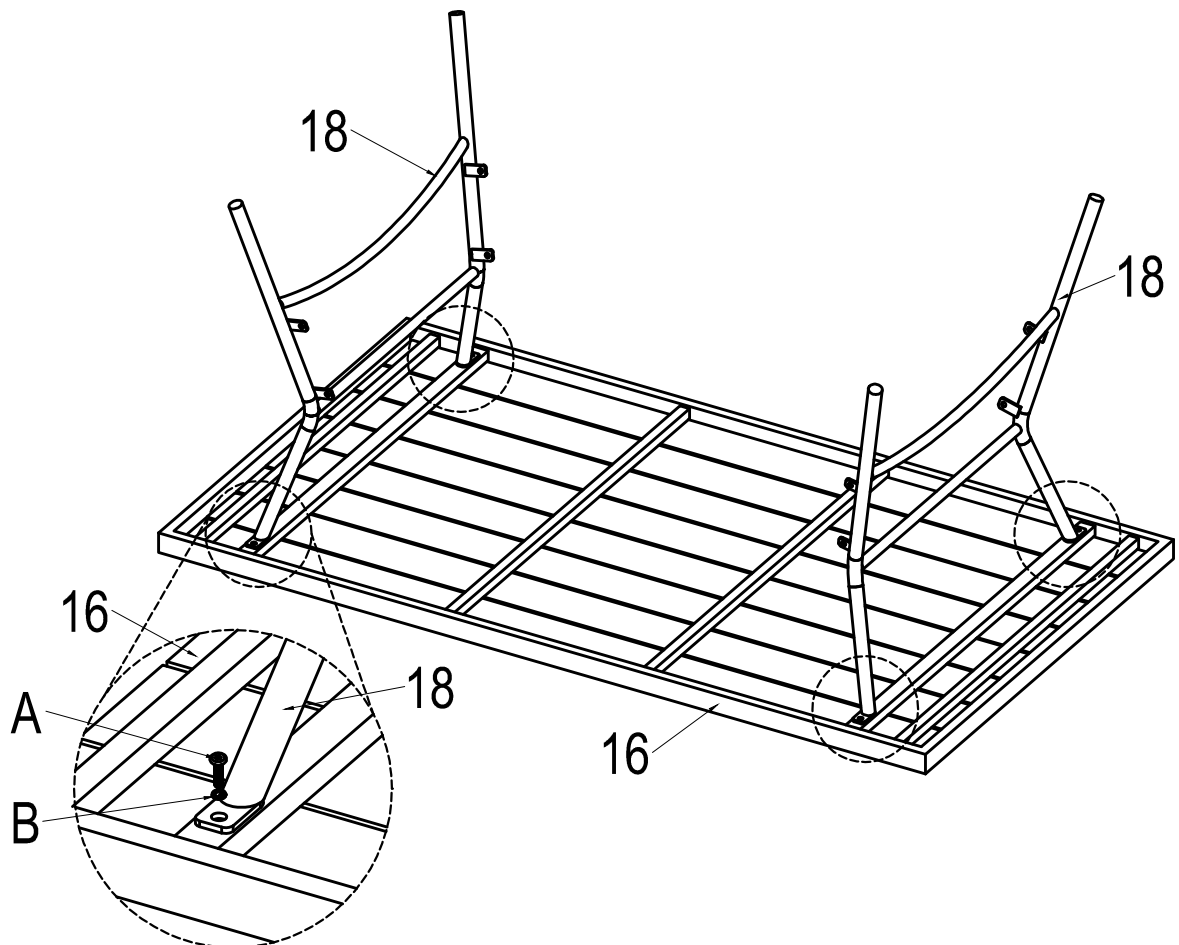
<p>A. Bolt</p>  <p>M6*20*12PCS</p>	<p>B. Washer</p>  <p>M6*12PCS</p>	<p>C. Allen Key</p>  <p>M6*1PC</p>
---	--	---

Step 1:

ITEMS REQUIRED

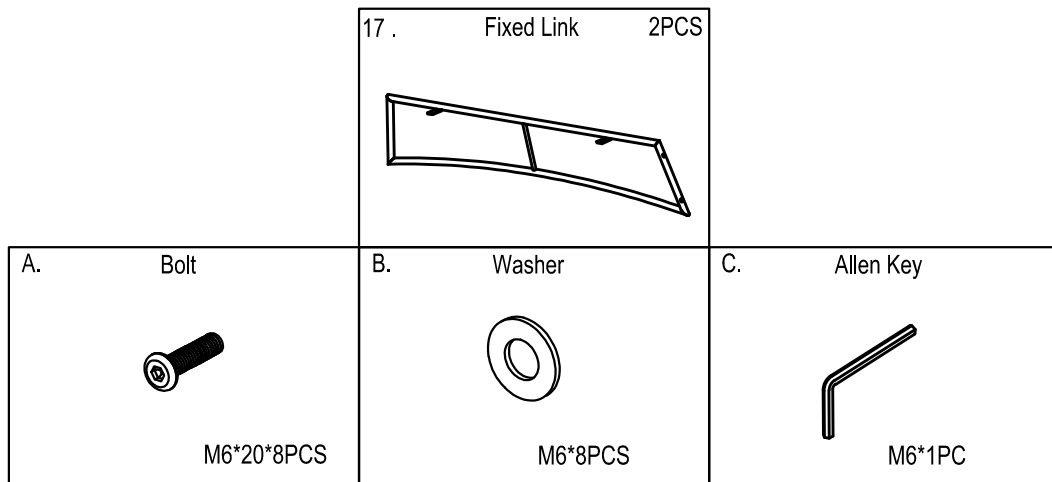
16. Table Top 1PC 	18. Legs 2PCS 	
A. Bolt  M6*20*4PCS	B. Washer  M6*4PCS	C. Allen Key  M6*1PC

- Attach legs (18) to table top (16) using bolt (A) with washer (B) .
- 80% tighten with allen key (C) .

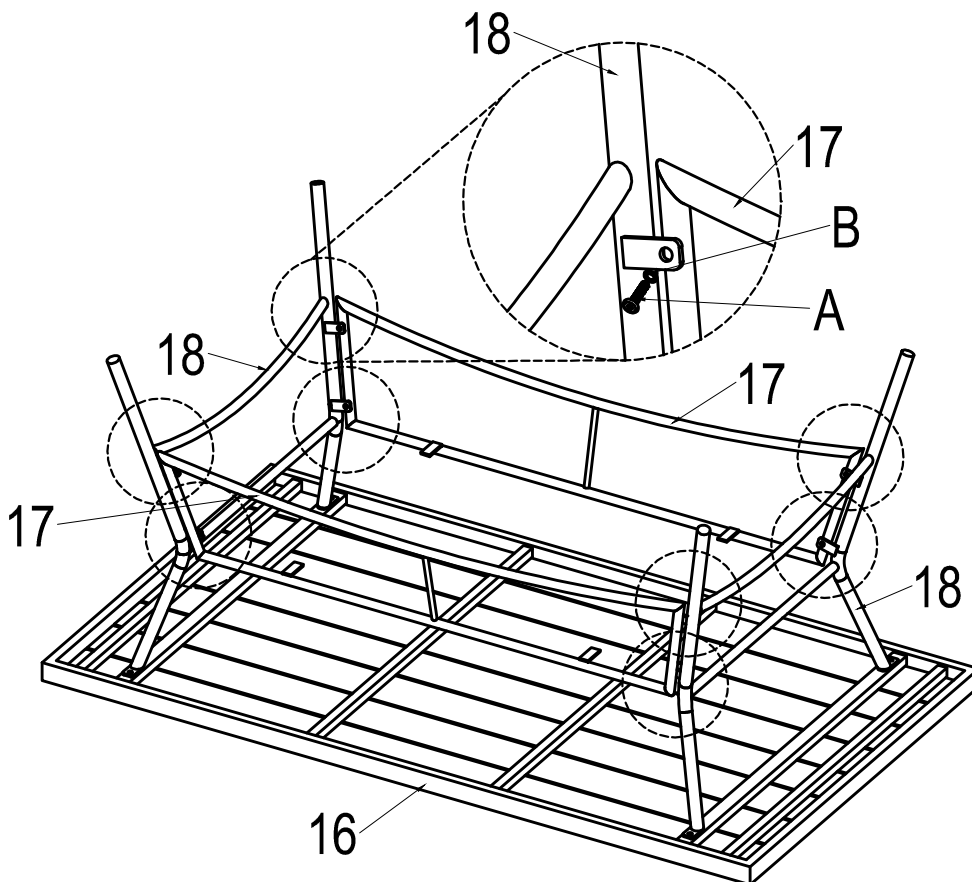


Step 2:

ITEMS REQUIRED



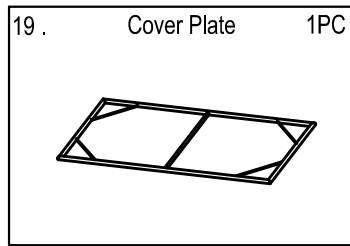
- Attach fixed link (17) to legs (18) using bolt (A) with washer (B) .
- Fully tighten with allen key (C) at this step.



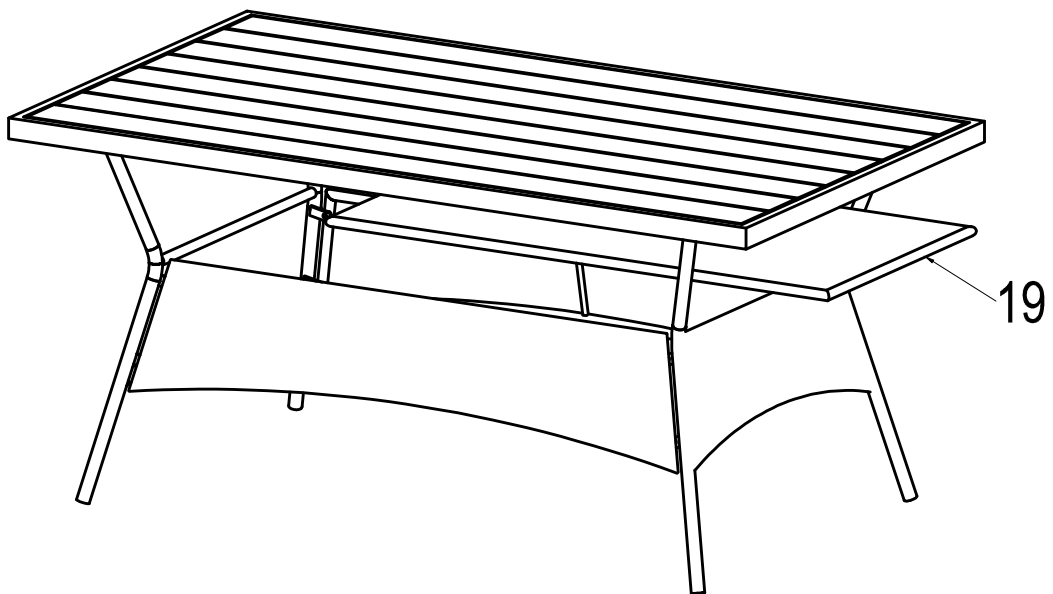
IMPORTANT NOTE:
ALWAYS USE TWO PEOPLE WHEN TURNING THE TABLE OVER

Step 3:

ITEMS REQUIRED



- Place cover plate (19) to the sheet.

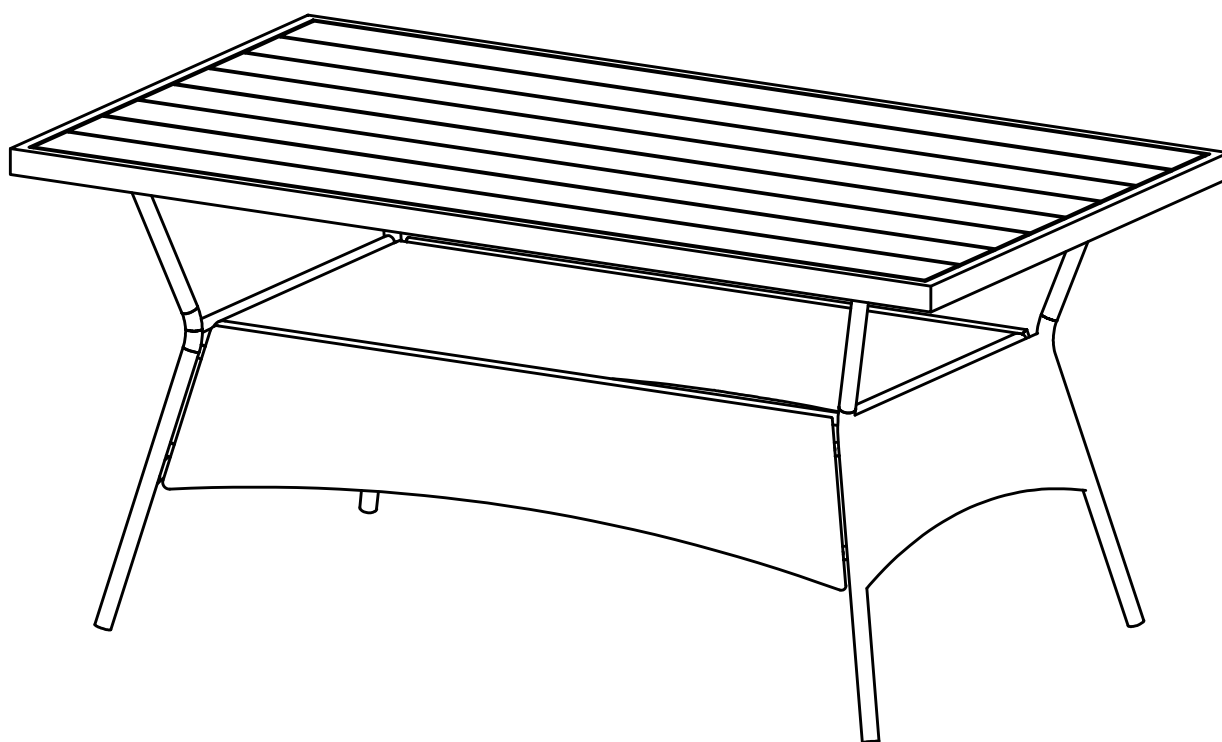


ASSEMBLY IS COMPLETE

CAUTION:

ALWAYS LIFT YOUR PRODUCT WHEN MOVING/RELOCATING.

DO NOT DRAG. DRAGGING CAN CAUSE DAMAGE TO THE LEGS



Care and maintenance

Metal

To ensure the longevity and maintain the appearance of your steel outdoor furniture, please follow these care instructions:

1. Usage and Storage:

Galvanised steel is designed for short term outdoor use due to its protective zinc coating, but, like all man-made materials, it can suffer damage if left exposed to the elements. To extend its life, avoid prolonged exposure to weather conditions. Store the furniture indoors or under cover when not in use or use an outdoor cover (do not store on grass).

2. Avoid Excess Moisture:

DO NOT allow the furniture to remain wet or sit in standing water for long periods. Wipe the furniture dry immediately if it becomes wet. Excess moisture can compromise the protective coating and lead to rust formation.

3. Avoid exposure to chlorine & salt water:

Chlorine/salt can disrupt the protective zinc oxide layer on steel, leading to accelerated corrosion. Once the protective layer is compromised it more susceptible to rust. This is particularly problematic in environments with high chlorine concentrations, such as in swimming pools, homes within a short distance of the ocean or areas with heavy chlorination.

4. Cleaning:

Clean your furniture with care. Avoid using harsh solvents, abrasives, or chemicals. To remove dirt and grime, rinse with fresh water and dry thoroughly. For a deeper clean, use a sponge and a mild detergent solution as needed. Abrasive cleaners will scratch/damage the surface.

Live by the beach? Due to a process called “aerosolisation”, sea water is broken up into tiny droplets by the wind and waves and salt particles are released into the air. This process accelerates the corrosion of metal surfaces over time. It is essential to use furniture covers when the product is not in use and clean your product more frequently.

By following these simple steps, you will help keep your furniture in great condition and ensure it remains a beautiful and functional part of your outdoor space.

Care and maintenance

Wicker

Wicker is a weaving technique used to create outdoor furniture, baskets, and decorative items. It involves weaving thin, flexible strands of materials like rattan, bamboo, or synthetic materials to form intricate patterns.

To ensure the longevity and maintain the appearance of your outdoor furniture, please follow these care instructions:

- 1. Usage and Storage:** This item is designed for outdoor use, but, like all man-made materials, it can suffer damage if left exposed to the elements. To extend its life, avoid prolonged exposure to weather conditions. Store the furniture indoors/under cover when not in use and use an outdoor cover (do not store on grass).
- 2. Sun Exposure:** Prolonged exposure to sunlight can cause wicker to dry out and become brittle, leading to cracks and potential unravelling of the weave. Sun exposure can also cause fading. To protect your furniture from UV damage, we recommend using a furniture cover when not in use, even when stored undercover or under an awning.
- 3. Moisture Management:** While wicker is made from weather-resistant materials, prolonged exposure to moisture can still lead to mould or mildew. If the furniture gets wet, dry it thoroughly to prevent moisture buildup.
- 4. Cleaning:** Regular cleaning is essential to maintain the appearance of your wicker furniture. Use a soft brush or vacuum with a brush attachment to remove dust and debris. For deeper cleaning, mix mild soap with warm water and gently scrub the surface with a cloth or sponge. Rinse thoroughly and dry immediately.

By following these care instructions, you can help ensure your outdoor wicker furniture remains attractive and functional for many seasons to come.

Care and maintenance

Weathergrain

To ensure the longevity and maintain the appearance of your outdoor furniture, please follow these care instructions:

- 1. Usage and Storage:** This furniture is designed for outdoor use; however, prolonged exposure to extreme weather conditions can affect its integrity and cause fading and brittleness over time. To extend its life, store the furniture indoors or under cover when not in use, or use a high-quality outdoor cover.
- 2. Avoid Heavy or Pointed Objects:** Do not place heavy or pointed objects on the surface, as this can lead to dents or scratches. Additionally, avoid placing magnifying objects such as wine glasses, reading glasses, or other glass items on the furniture, as they can focus sunlight and potentially burn the surface.
- 3. Heat Protection:** Avoid placing hot objects directly on the furniture, as high temperatures can weaken the material and lead to brittleness. Always use heat-resistant pads under hot items.
- 4. Cleaning:** Clean your furniture with care. Avoid using harsh solvents, abrasives, or chemicals. To remove dirt and grime, rinse with fresh water and dry thoroughly. For a deeper clean, use a sponge and a mild detergent solution as needed. Abrasive cleaners will scratch/damage the surface.

By following these simple steps, you will help keep your furniture in great condition, ensuring it remains a beautiful and functional part of your outdoor space.